

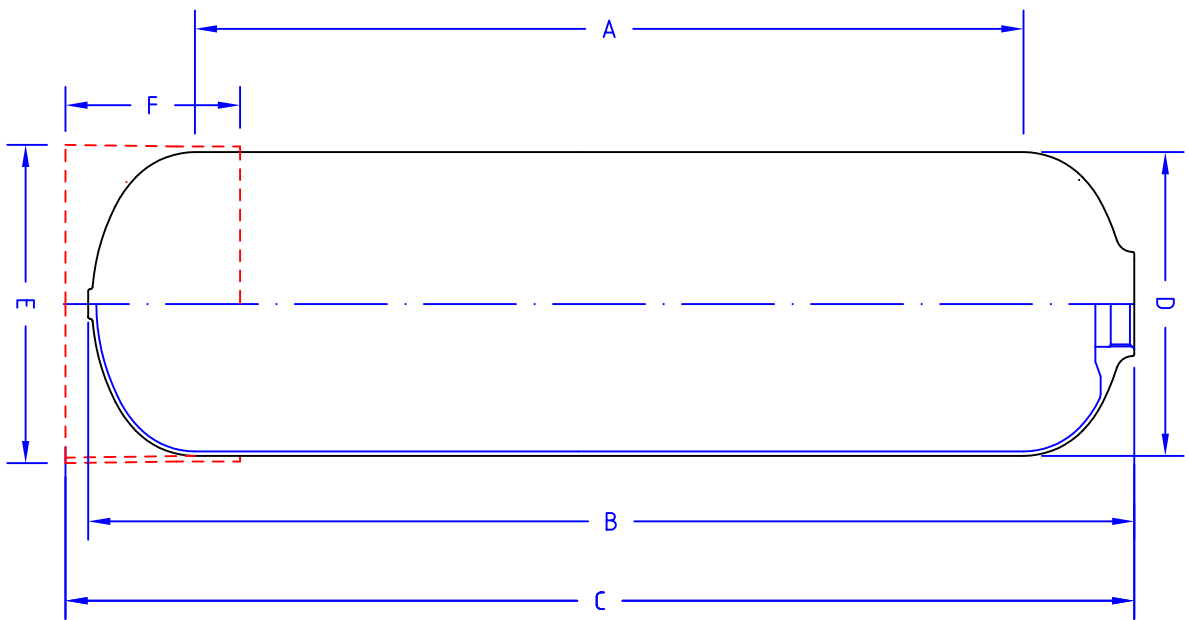


Pentair
Water

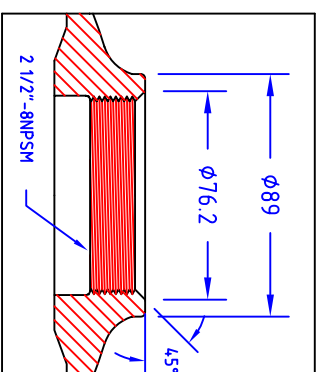
TEL: + 32 14 25 99 11
FAX: + 32 14 25 99 75

COMPOSITE DOMESTIC THREADED VESSELS

2 1/2" TOP - POLE-LESS



DETAIL 2 1/2" THREAD



Operating pressure : min 0 bar - max 10 bar
Operating temperature : min 1°C - max 50°C

A	B	C	D	E	F	/	/	/	/	/	/	TYPE
Clindrical height (mm)	Height vessel (mm) Minimum - maximum	Total height (mm) Minimum - maximum	External diameter (mm)	Outside diameter base (mm)	Height base (mm)	Volume vessel (liter)	Volume dome (liter)	Weight empty vessel (kg)	Maximum base load (kg)			
175	328 - 332	345 - 349	Ø208	Ø220	121	8.2	1.4	1.2	75	Q-0813-A0		
263	416 - 420	433 - 437	Ø208	Ø220	121	11.0	1.4	1.5	75	Q-0817-A0		
275	428 - 432	445 - 449	Ø208	Ø220	121	11.4	1.4	1.5	75	Q-0818-A0		
403	556 - 560	572 - 576	Ø208	Ø220	121	15.4	1.4	2.1	75	Q-0822-A0		
612	763 - 767	781 - 785	Ø208	Ø220	121	22.0	1.4	3.1	75	Q-0830-A0		
730	883 - 887	900 - 904	Ø208	Ø220	121	25.7	1.4	2.8	75	Q-0835-A0		
750	904 - 908	921 - 925	Ø208	Ø220	121	26.4	1.4	3.0	75	Q-0836-A0		
303	472 - 476	488 - 492	Ø233	Ø247	125	16.0	1.9	2.1	75	Q-0919-A0		
721	883 - 887	901 - 905	Ø233	Ø247	125	31.3	1.9	3.5	75	Q-0935-A0		
133	315 - 319	334 - 338	Ø257	Ø269	148	11.5	2.7	2.1	140	Q-1012-A0		
152	334 - 338	353 - 357	Ø257	Ø269	148	13.3	2.7	2.2	140	Q-1013-A0		
222	404 - 408	423 - 427	Ø257	Ø269	148	16.1	2.7	2.5	140	Q-1016-A0		
299	481 - 485	500 - 504	Ø257	Ø269	148	19.1	2.7	2.0	140	Q-1019-A0		
400	582 - 586	601 - 605	Ø257	Ø269	148	24.0	2.7	2.6	140	Q-1023-A0		
701	883 - 887	901 - 905	Ø257	Ø269	148	38.9	2.7	4.2	140	Q-1035-A0		
1117	1348 - 1354	1368 - 1374	Ø334	Ø341	190	103.1	5.9	9.2	225	Q-1354-A0		

(i)

Revision	Revision description	Drawn	Date
i	Add new configuration Q-0836-A0	LVDS	23/08/04

<p>Industriepark Wolfstee Toekomstlaan 30 HERENTALS BELGIUM</p>	Article :	Scale :
	Cad filename : DG970149	Date : 3 April 1997
	Model filename :	Drawn : Ludo Van den Schoor
	Remarks : Boxed dims. are critical for Q.A.	Approved : P.K.
	Material :	Projection :
		Projection :

Description :	Drawing number :
DOM. POLELESS COMPOSITE VESSEL 8"-13"	CD-TP-D-177i